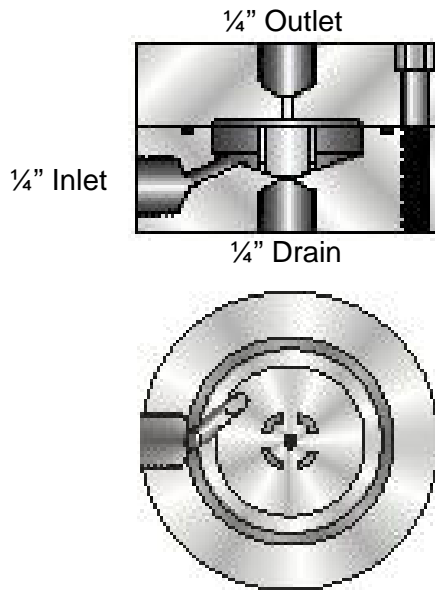


Welker Liquid Eliminator Membrane Filter



The Welker Liquid Eliminator (LE-2) is designed to protect analyzers from damage and contamination by removing liquids and particulates in gas samples. The gas sample enters the housing and flows through the membrane, effectively eliminating any free liquids from entering the analyzer columns. The LE-2 is mounted horizontally, allowing the liquid droplets or slugs to drop off of the membrane and drain out through the bottom valve. The replaceable membrane is supported by a stainless steel retaining screen that allows the filter to be back purged without damage to the membrane. The membrane is inert to hydrocarbons and chemicals.

The Welker Liquid Eliminator is available in Delrin (w.p. 300psi), Aluminum (w.p. 1000psi) and Stainless Steel (w.p. 1440psi) allowing you to choose the model that is correct for your pressure needs.

The Welker Liquid Eliminator Membrane Filter is designed to be installed in analyzer sample lines to effectively eliminate free liquids from entering gas analyzers.

Specifications:

Diameter: 3"

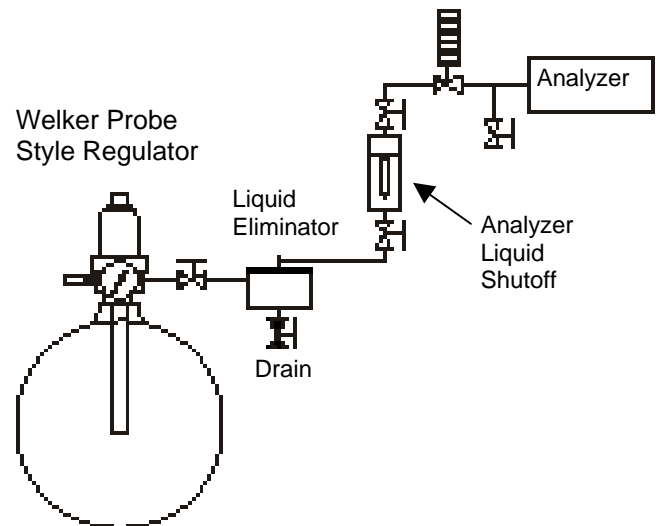
LE-2D Delrin construction
 w.p. 300 psi
 1/4" inlet and outlets
 weight ... 12oz

LE-2A Aluminum construction
 w.p. 1000 psi
 1/4" inlet and outlets
 weight ... 1.50 lbs

LE-2S Stainless Steel construction,
 w.p. 1440 psi,
 250°F Max Working temp
 1/4" inlet and outlets
 weight ... 3.10 lbs

FE09000 ... Replacement Membrane, 25 micron

Typical Pipeline Installation



For Sales & Service Contact:

39 Magnolia Avenue
 Cambridge MA 02138
 Phone: (617) 290-2134
 Fax: (240) 250-8907

Follin Flo-Controls
www.FollinFlo-Controls.com
sales@FollinFlo-Controls.com

Doc. Ref: F09A_LE2_bul v. 1

5 Heritage Hill Rd.
 Norwalk, CT 06851
 Phone: (203) 845-0593
 Fax: (203) 846-3825