

C Series Coalescing Filters



Description: C-Series Coalescing Filters are designed to remove 99.9% of all liquid droplets and solid particles 0.3-microns and larger from wellhead lines, compressor fuel gas, and lines downstream of small compressors. In any line where there is a possibility of water or oil in droplet or mist form our C-Series Coalescing Filter will keep that liquid out of downstream equipment. The filters are available with pressure ratings of 180, 285, 740 and 1480 PSI with line sizes from 1-1/2" to 12" and flowrates from 5,000 to 25,000,000 SCFH.

The replaceable filter cartridges are made with a borosilicate fiberglass media, carefully formed with very fine pores which force microscopic droplets to "bump" together as they pass through the media, building them up to a droplet size that is too large to be carried by the gas stream. These droplets collect in a sump area where they can be drained away either manually or automatically.

Lid Closures are designed to make filter element changeout as easy and as fast as possible. 2" thru 6" line sizes in 180 and 285 PSI ratings use a quick opening swing-bolt lid while larger and higher pressure filters incorporate a flat, bolted cover with assisted openers.

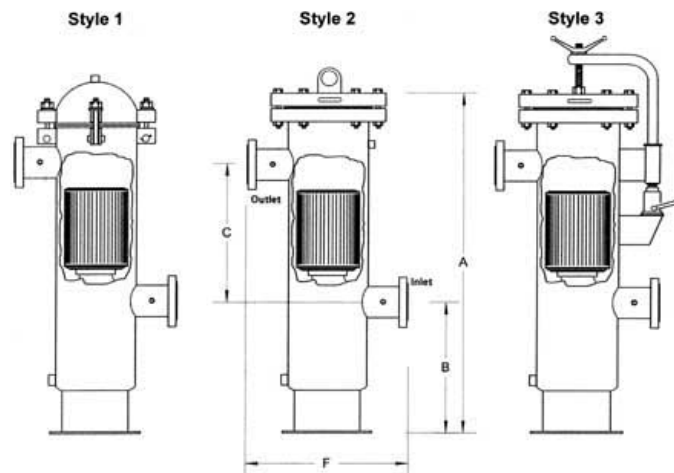
For Sales & Service Contact:

39 Magnolia Avenue
Cambridge MA 02138
Phone: (617) 290-2134
Fax: (240) 250-8907

FLOWRATE in SCFH for C-Series Filters

Pressure	1/4 PSI	5 PSI	25 PSI	50 PSI	100 PSI	150 PSI
C2	25500	29000	57000	72000	95000	114000
C3	50000	65000	122M	144M	220M	265M
C4	83000	120M	210M	250M	380M	470M
C6	240M	270M	500M	555M	910M	1.1MM
C8	410M	490M	770M	1.0MM	1.6MM	2.0MM
C10	550M	910M	1.1MM	1.9MM	2.6MM	3.0MM
C12	865M	1.2MM	2.2MM	2.5MM	4.0MM	4.8MM

These flow rates are based on 1 1/2 PSID pressure drop up to 150 PSI



Dimensions of 180 PSI FF and 285 PSI RF Models

Size	Model	Style	A	B	C	F	Filter Elem.	Lbs.
2"	C2-180F C2-285F	1	40"	12"	17"	17"	422	85
3"	C3-180F C3-285F	1	50"	15"	23"	18"	425	73
4"	C4-180F C4-285F	1	60"	18"	29"	20"	415	160
6"	C6-180F C6-285F	1	71"	20"	38"	24"	2034K907	205
8"	C8-285F	2	71"	24"	33"	28"	2054K907	360

Exact dimensions are listed on data sheets for each specific model.

Other options include:

- Differential gauges
- Blowdowns
- Pete's plugs

Follin Flo-Controls

www.FollinFlo-Controls.com
sales@FollinFlo-Controls.com

Doc. Ref: F05A_C_Series_Bulletin v. 1

5 Heritage Hill Rd.
Norwalk, CT 06851
Phone: (203) 845-0593
Fax: (203) 846-3825